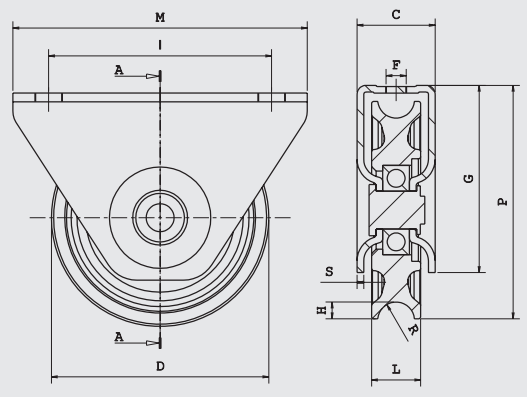
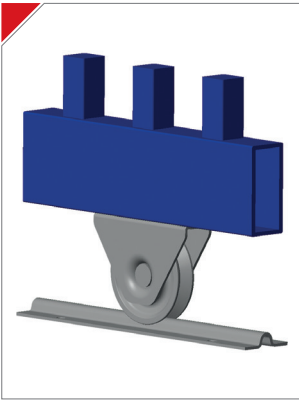




Sliding Door Accessories

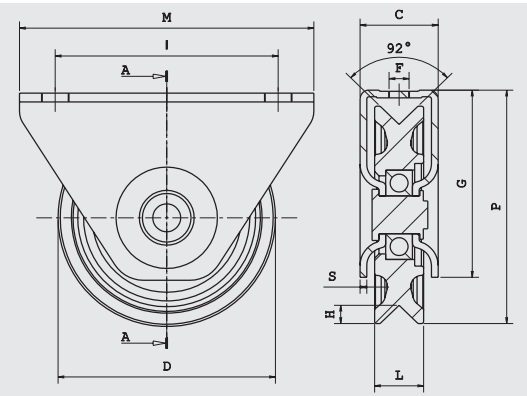
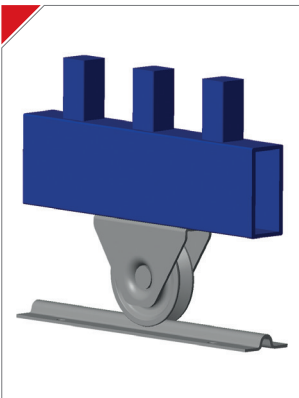
Ray Tipi Kapı Aksamları



Yarım daire kanallı, dıştan taşıma plakalı tek sıra rulmanlı çelik tekerlek.
Wheel with support and half-round groove.



Kod / Code	Ebat Size	C	D	F	G	I	L	M	P	R	S	H	Kapasite Capacity	Box Qty.
26001060U	60	30	58	9	61	55	17	85	72	8,25	3	3,8	130 kg	60
26001070U	70	37	68	9	78	90	20	118	90	8,25	3	5,3	150 kg	36
26001080U	80	37	78	9	78	90	20	118	95	8,25	3	5,3	180 kg	30
26001090U	90	37	88	9	92	100	20	131	108	8,25	3	6,3	200 kg	24
26001100U	100	37	98	9	92	100	22	131	113	8,25	3	7,5	210 kg	20



V kanallı, dıştan taşıma plakalı tek sıra rulmanlı çelik tekerlek.
Wheel with plates and V groove.

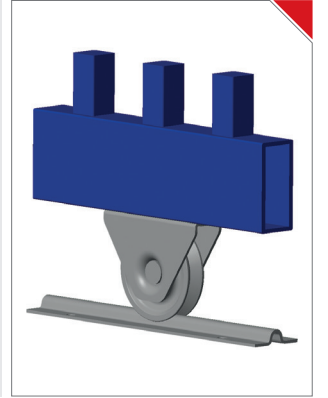
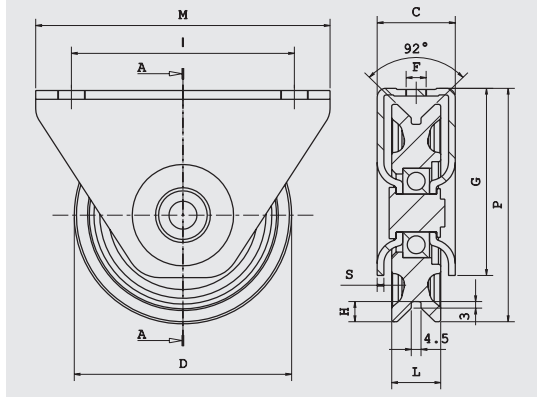
Wheel with support and V groove.



Kod / Code	Ebat Size	C	D	F	G	I	L	M	P	S	H	Kapasite Capacity	Box Qty.
26001060V	60	30	58	9	61	55	17	85	72	3	3,8	130 kg	60
26001070V	70	37	68	9	78	90	20	118	90	3	5,3	150 kg	36
26001080V	80	37	78	9	78	90	20	118	95	3	5,3	180 kg	30
26001090V	90	37	88	9	92	100	20	131	108	3	6,3	200 kg	26
26001100V	100	37	98	9	92	100	22	131	113	3	7,5	210 kg	20

Y kanallı, dıştan taşıma plakalı tek sıra rulmanlı çelik tekerler.

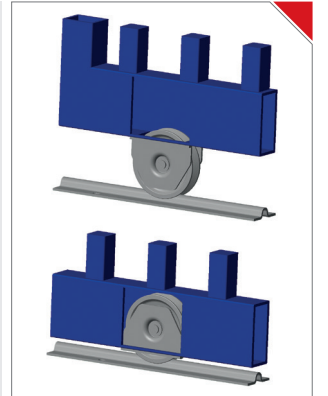
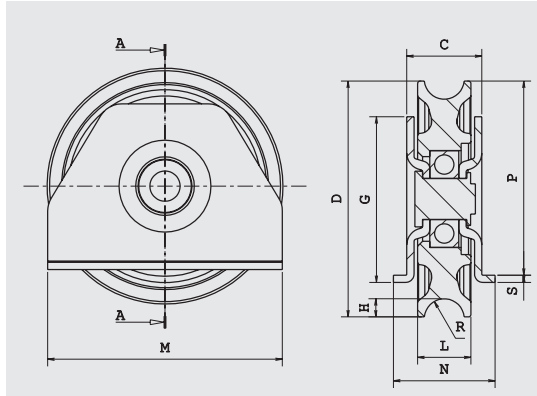
Wheel with Y groove and plates.



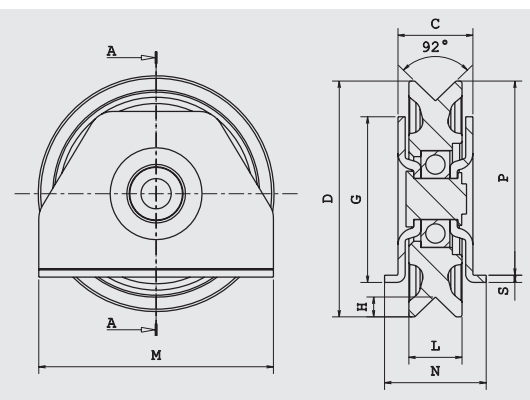
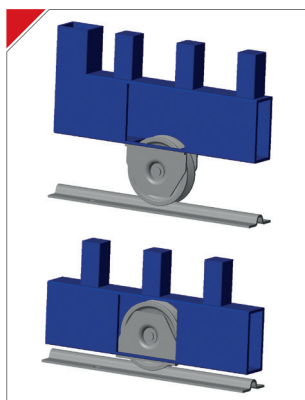
Kod / Code	Ebat Size	C	D	F	G	I	L	M	P	S	H	Kapasite Capacity	Box Qty.
26001060Y	60	30	58	9	61	55	17	85	72	3	6,5	130 kg	60
26001070Y	70	37	68	9	78	90	20	118	90	3	8	150 kg	36
26001080Y	80	37	78	9	78	90	20	118	95	3	8	180 kg	30
26001090Y	90	37	88	9	92	100	20	131	108	3	9	200 kg	26
26001100Y	100	37	98	9	92	100	22	131	113	3	9	210 kg	20

Yarım daire kanallı, dıştan taşıma plakalı tek sıra rulmanlı çelik tekerler.

Wheel with support and half-round groove



Kod / Code	Ebat Size	C	D	G	L	M	P	R	S	H	Kapasite Capacity	Box Qty.
26002050U	50	26	48	39	17	33	42	7,25	3	4,3	100 kg	75
26002060U	60	26	58	39	17	33	47	8,25	3	3,8	130 kg	75
26002070U	70	29	68	53	20	40	57	8,25	3	5,3	150 kg	40
26002080U	80	29	78	53	20	40	62	8,25	3	5,3	180 kg	40
26002090U	90	31	88	69	20	43	77	8,25	3	6,3	190 kg	26
26002100U	100	31	98	69	22	43	82	8,25	3	7,5	210 kg	26
26002120U	120	35	118	86	25	50	97	10,25	3	8	250 kg	14
26002140U	140	35	138	86	25	50	107	10,25	3	8,3	280 kg	14

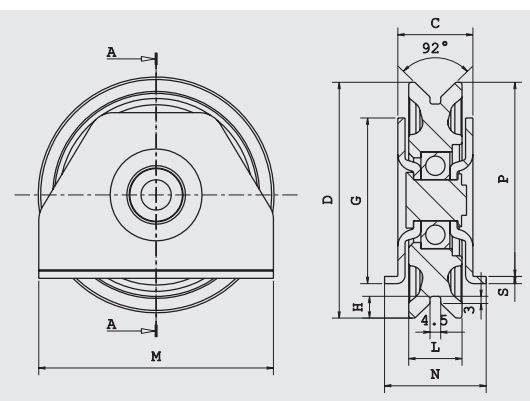
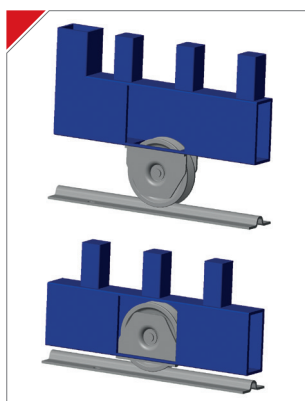


V kanallı, dıştan taşıma plakalı tek sıra rulmanlı çelik tekerlek.

Wheel with plates and V groove.



Kod / Code	Ebat Size	C	D	G	L	M	P	S	H	Kapasite Capacity	Box Qty.
26002050V	50	26	48	39	17	33	42	3	3,6	100 kg	75
26002060V	60	26	58	39	17	33	47	3	6,3	130 kg	75
26002070V	70	29	68	53	20	40	57	3	7,3	150 kg	40
26002080V	80	29	78	53	20	40	62	3	7,3	180 kg	40
26002090V	90	31	88	69	20	43	77	3	7,7	190 kg	26
26002100V	100	31	98	69	22	43	82	3	8,2	210 kg	26
26002120V	120	35	118	86	25	50	97	3	8,5	250 kg	14
26002140V	140	35	138	86	25	50	107	3	8,5	280 kg	14



Y kanallı, dıştan taşıma plakalı tek sıra rulmanlı çelik tekerlek.

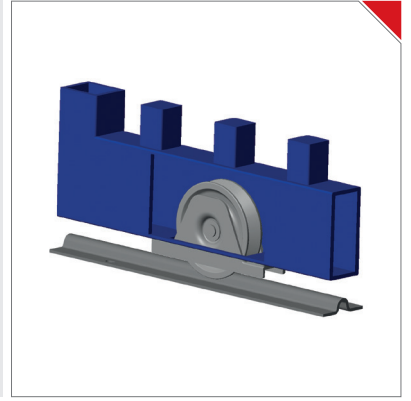
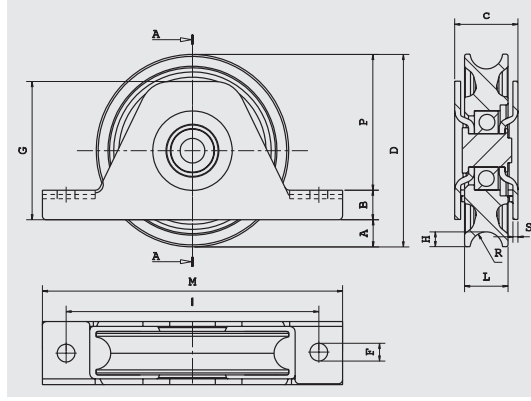
Wheel with Y groove and plates.



Kod / Code	Ebat Size	C	D	G	L	M	P	S	H	Kapasite Capacity	Box Qty.
26002050Y	50	26	48	39	17	33	42	3	6	100 kg	75
26002060Y	60	26	58	39	17	33	47	3	6,5	130 kg	75
26002070Y	70	29	68	53	20	40	57	3	8	150 kg	40
26002080Y	80	29	78	53	20	40	62	3	8	180 kg	40
26002090Y	90	31	88	69	20	43	77	3	9	190 kg	26
26002100Y	100	31	98	69	22	43	82	3	9	210 kg	26
26002120Y	120	35	118	86	25	50	97	3	10	250 kg	14
26002140Y	140	35	138	86	25	50	107	3	11	280 kg	14

Yarım daire kanallı, dıştan taşıma plakalı tek sıra rulmanlı çelik tekerler.

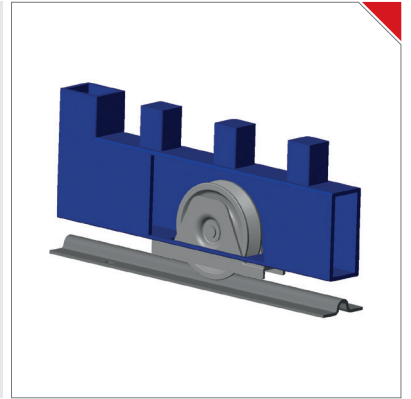
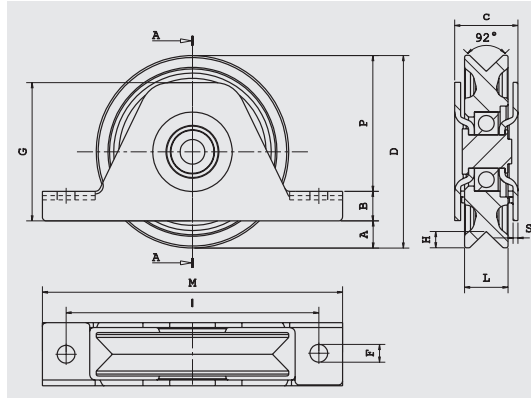
Wheel with support and half-round groove



Kod / Code	Ebat Size	A	B	C	D	F	G	I	L	M	P	R	S	H	Kapasite Capacity	Box Qty.
26003070U	70	7	18	31	68	9	55	110	20	135	37	8,25	3	5,3	150 kg	40
26003080U	80	12	18	31	78	9	55	110	20	135	37	8,25	3	5,3	180 kg	40
26003090U	90	9	18	32	88	9	70	127	20	152	52	8,25	3	6,3	190 kg	30
26003100U	100	14	18	32	98	9	70	127	22	152	52	8,25	3	7,5	210 kg	25
26003120U	120	9	19	37	118	9	100	170	25	200	81	10,25	3	8	250 kg	16
26003140U	140	19	19	37	138	9	100	170	25	200	81	10,25	3	8,3	280 kg	13

V kanallı, dıştan taşıma plakalı tek sıra rulmanlı çelik tekerlek.

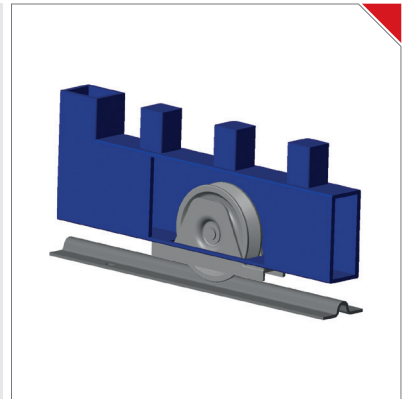
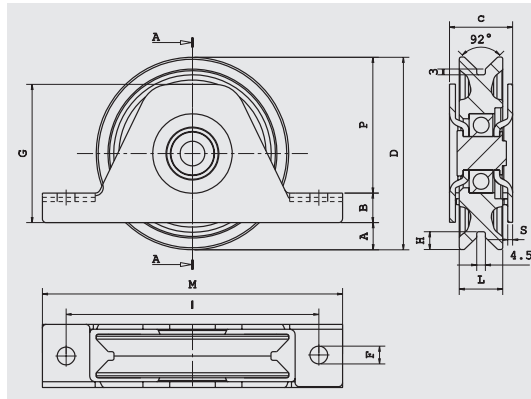
Wheel with plates and V groove.



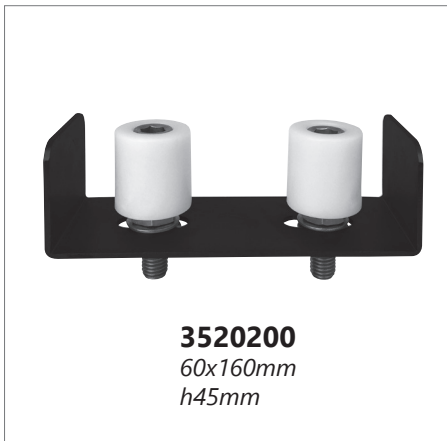
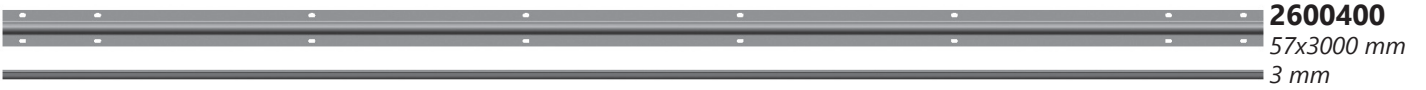
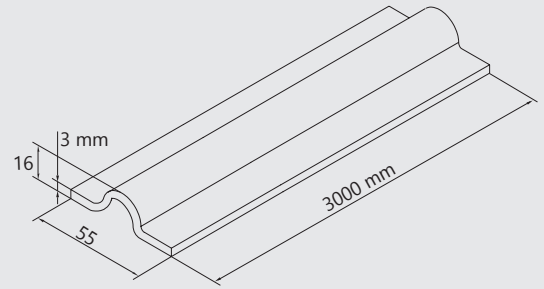
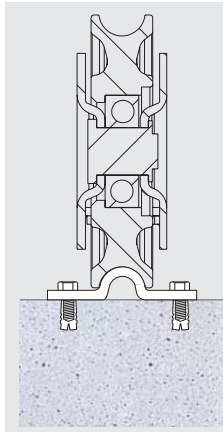
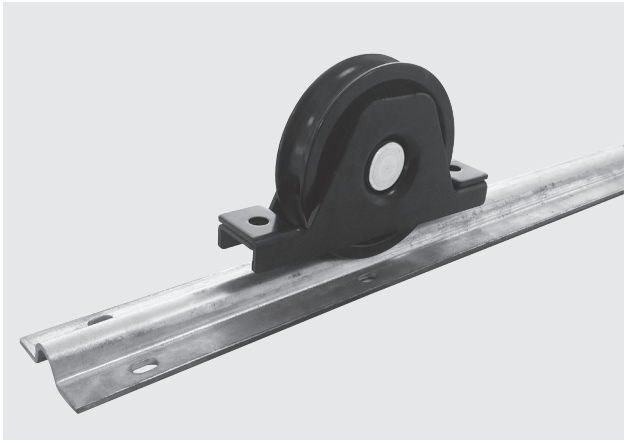
Kod / Code	Ebat Size	A	B	C	D	F	G	I	L	M	P	S	H	Kapasite Capacity	Box Qty.
26003070V	70	7	18	31	68	9	55	110	20	135	37	3	7,3	150 kg	40
26003080V	80	12	18	31	78	9	55	110	20	135	37	3	7,3	180 kg	40
26003090V	90	9	18	32	88	9	70	127	20	152	52	3	7,7	190 kg	30
26003100V	100	14	18	32	98	9	70	127	22	152	52	3	8,2	210 kg	25
26003120V	120	9	19	37	118	9	100	170	25	200	81	3	8,5	250 kg	14
26003140V	140	19	19	37	138	9	100	170	25	200	81	3	8,5	280 kg	13

Y kanallı, dıştan taşıma plakalı tek sıra rulmanlı çelik tekerler.

Wheel with Y groove and plates.

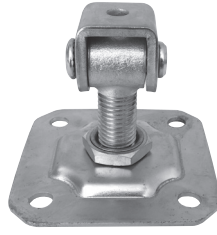


Kod / Code	Ebat Size	A	B	C	D	F	G	I	L	M	P	S	H	Kapasite Capacity	Box Qty.
26003070Y	70	7	18	31	68	9	55	110	20	135	37	3	8	150 kg	40
26003080Y	80	12	18	31	78	9	55	110	20	135	37	3	8	180 kg	40
26003090Y	90	9	18	32	88	9	70	127	20	152	52	3	9	190 kg	30
26003100Y	100	14	18	32	98	9	70	127	22	152	52	3	9	210 kg	25
26003120Y	120	9	19	37	118	9	100	170	25	200	81	3	10	250 kg	16
26003140Y	140	19	19	37	138	9	100	170	25	200	81	3	11	280 kg	13

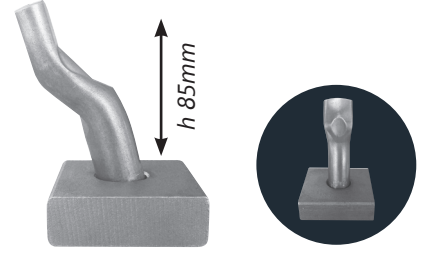




3520000
85x36x33mm
Ø20mm

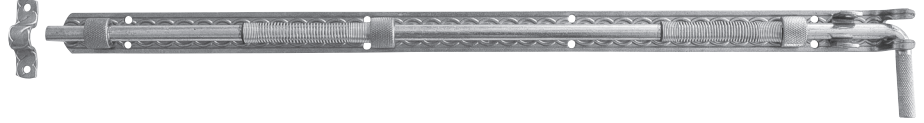


3520100
85x36x33mm
Ø 20mm



3520101

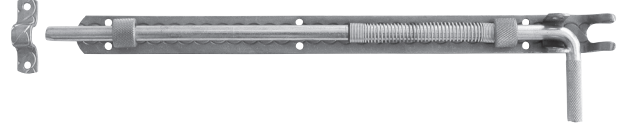
1000860
600x30mm



1003300
160x25mm



1000840
400x30mm



1003500
200x35mm



1000830
300x30mm



1003200
250x35mm



1000825
250x30mm



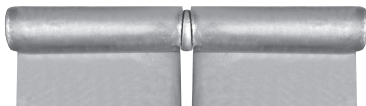
1003100
300x35mm



1000820
200x30mm



3541900
150x35x18mm



1000815
150x30mm



1000812
120x30mm

